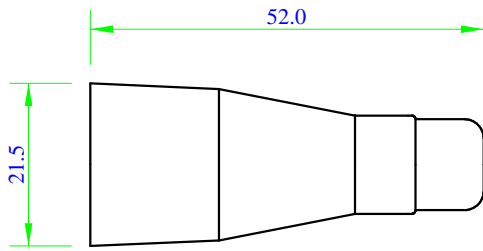


TCB001

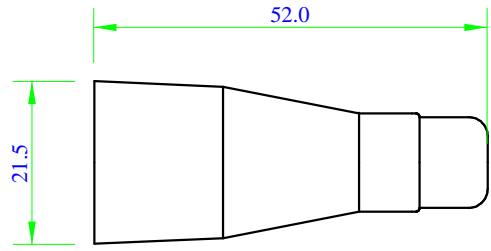
Material: PVC



Application: 180' Universal Distributor and Coil Boot

TCB006

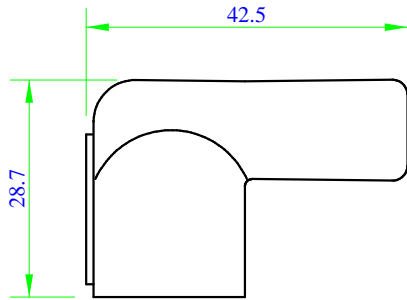
Material: TPE



Application: 180' Universal Distributor and Coil Boot

TCB007

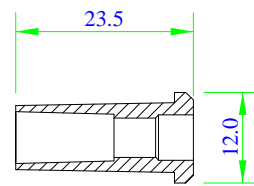
Material: PVC



Application: 90' Universal Distributor and Coil Boot

TCB008

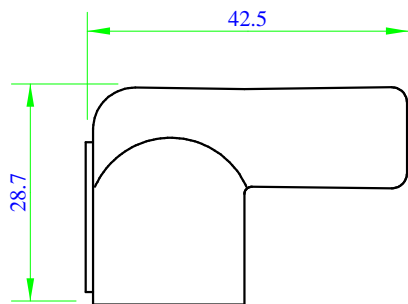
Material: Nylon 6.6 HS



Application: Terminal Ferrule for GM Distributor and Coil Terminal

TCB015

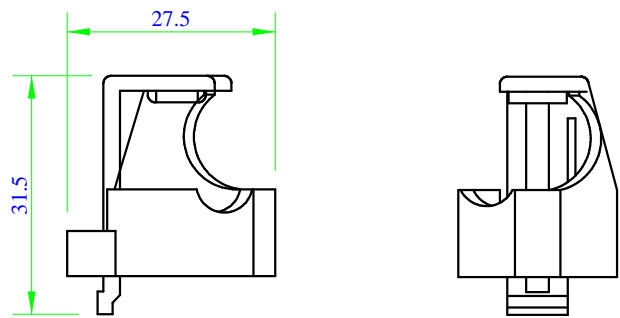
Material: TPE



Application: 90' Universal Distributor and Coil Boot

TCB016

Material: Nylon 6.6 HS



Application: Toyota Universal Angled Distributor Clip