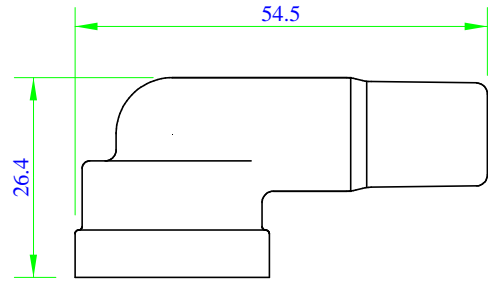


N/A

ARR020

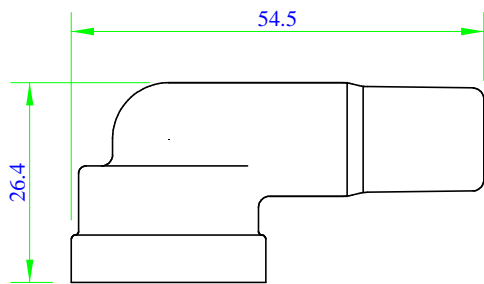
Material: TPE



Application: FORD DIS Coil Boot

ARR021

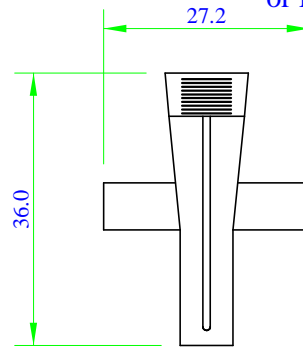
Material: PVC



Application: FORD DIS Coil Boot

ARR022

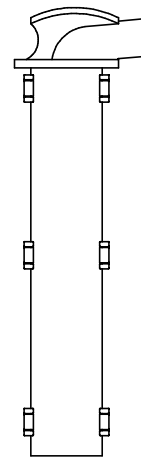
Material: NYLON
or POLYPROPYLENE



Application: FORD DIS Coil Boot Retaining Clip

ARR024

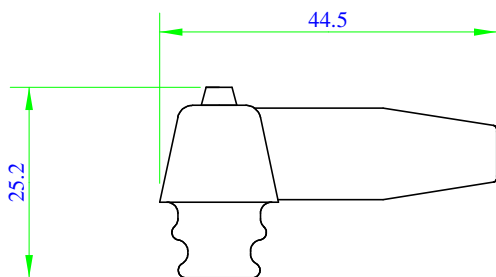
Material: NYLON



Application: ROVER K Series Sparkplug Boot Housing

ARR025

Material: TPE



Application: TOYOTA 5mm Coil Boot