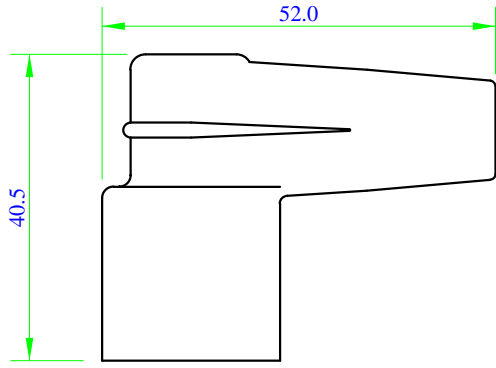


ARR001

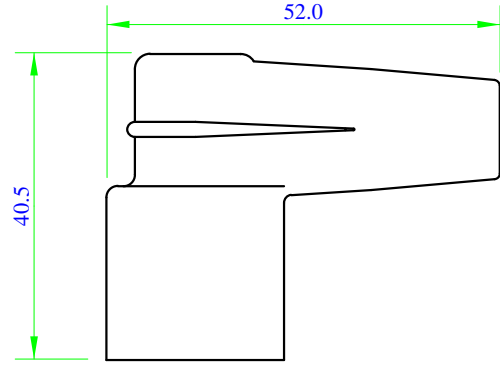
Material: PVC



Application: GM Distributor and Coil Boot

ARR002

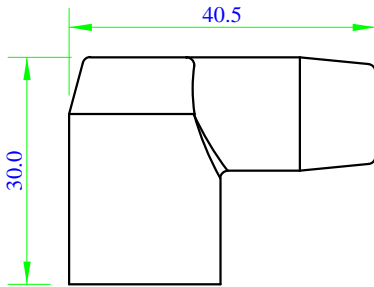
Material: TPE



Application: GM Distributor and Coil Boot

ARR003

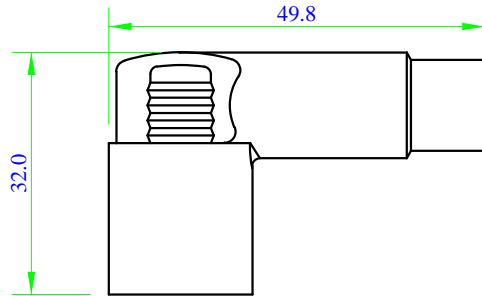
Material: TPE
(PVC available)



Application: Universal Distributor and Coil Boot

ARR004

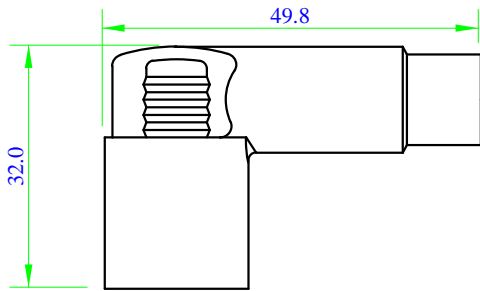
Material: TPE



Application: Volkswagen Distributor and Coil Boot

ARR005

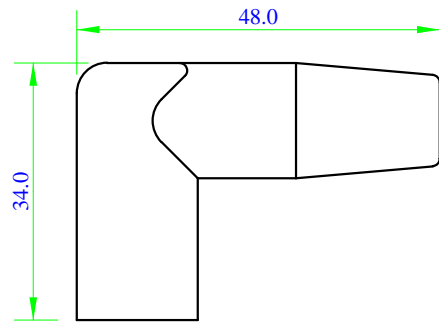
Material: PVC



Application: Volkswagen Distributor and Coil Boot

ARR006

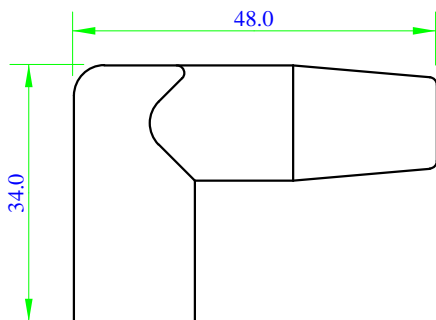
Material: TPE



Application: Universal SAE Fitting
Distributor and Coil Boot

ARR007

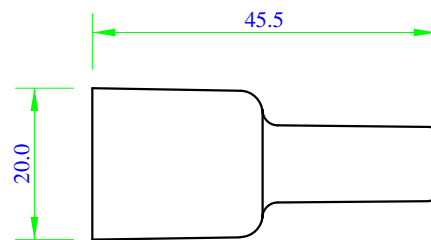
Material: PVC



Application: Universal SAE Fitting
Distributor and Coil Boot

ARR008

Material: PVC



Application: Universal Distributor and Coil Boot